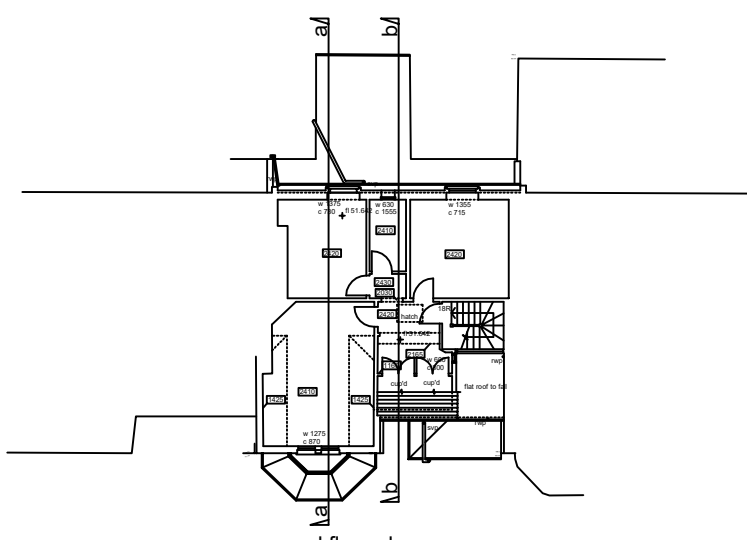
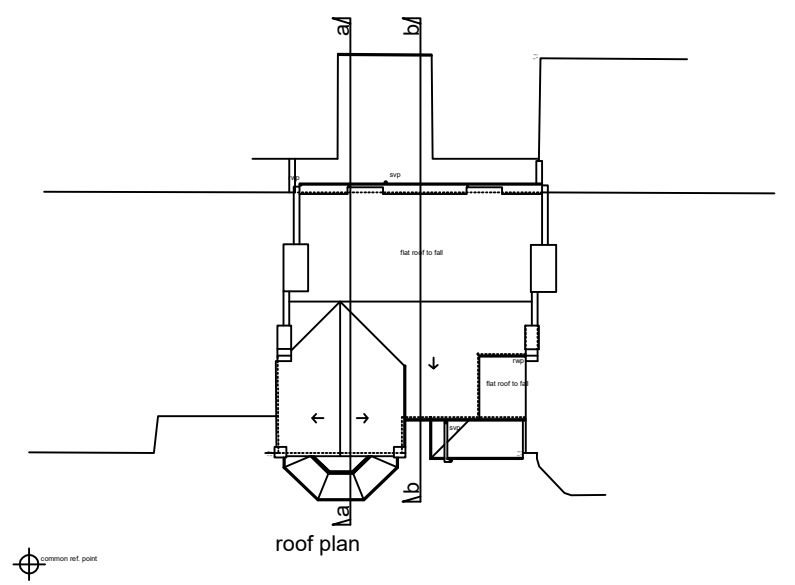


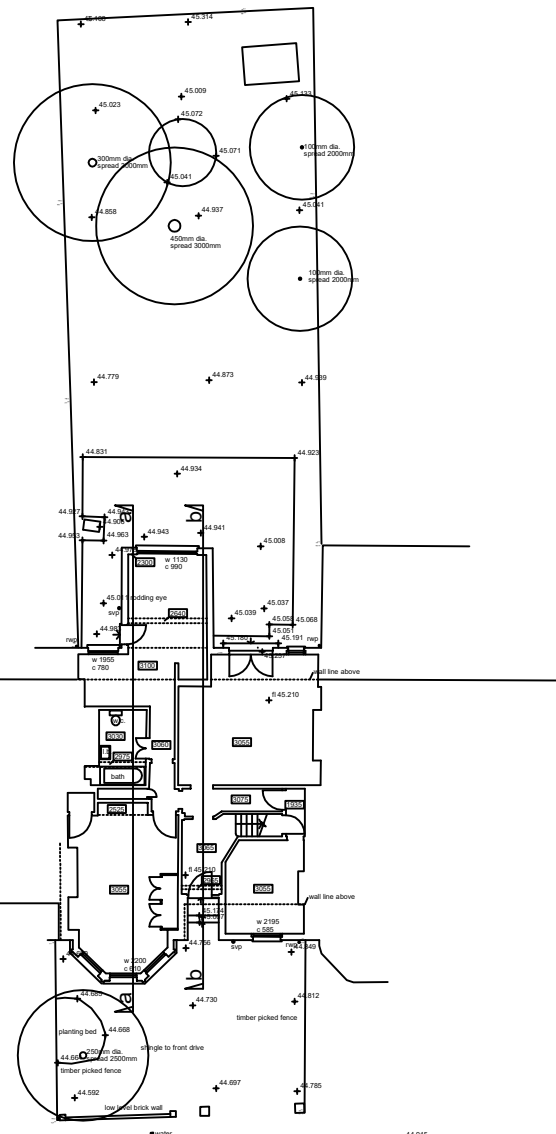
first floor plan



second floor plan



roof plan



ground floor plan

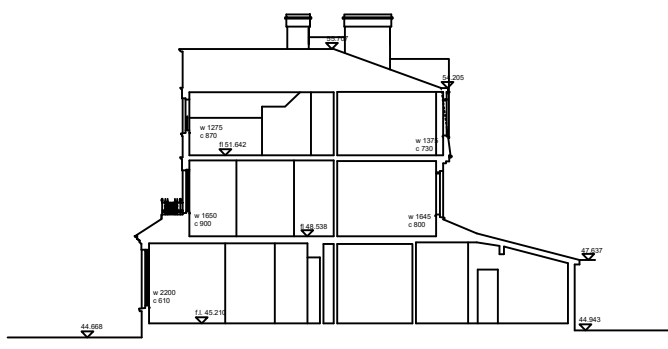
TELFORD AVENUE



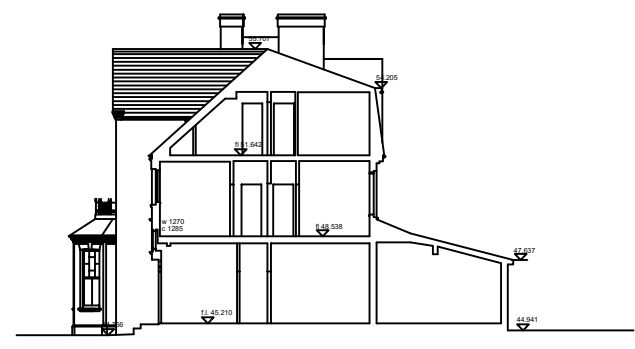
No.51 front elevation



No.51 rear elevation



section a - a



section b - b

Project: 51 Telford Avenue London SW2	Client: Amir Sanei Sanei Hopkins Architects 436 Essex Road, London	Date: Dec. 2013
MBT Surveys The studio office 39 Mulberry Way Heathfield, East Sussex, TN21 8YN tele. 01435 863231	Drawing: Survey of existing 7089-1	Scale: 1:100 Sheet Size: A0